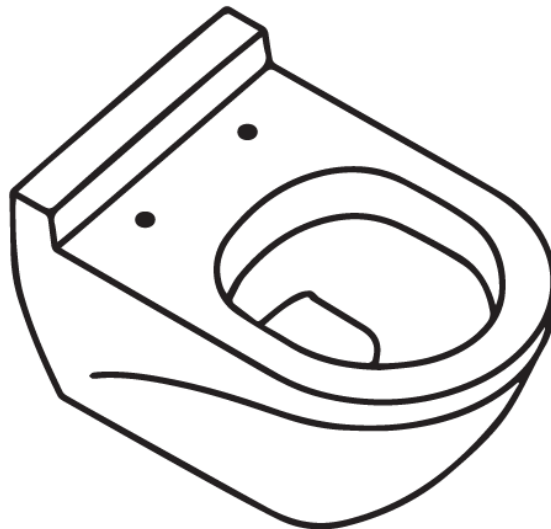


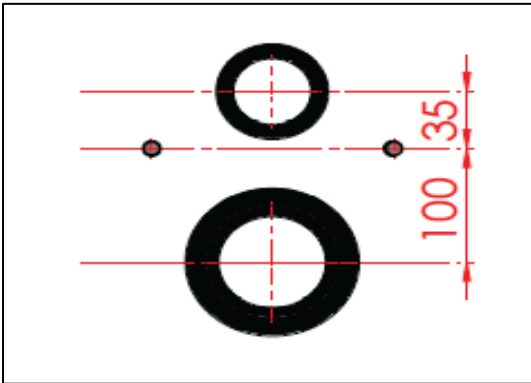
BOCCHI

IL BAGNO PER TUTTI

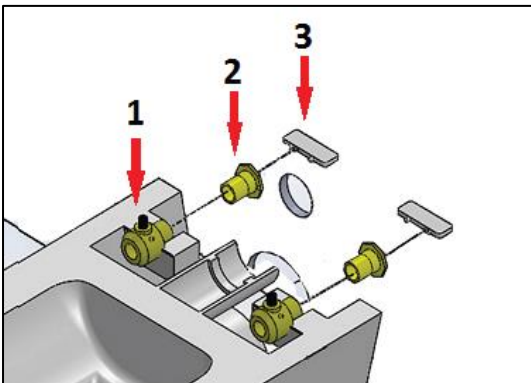


**WALL-MOUNTED TOILET TOP INSTALLATION
INSTRUCTIONS**

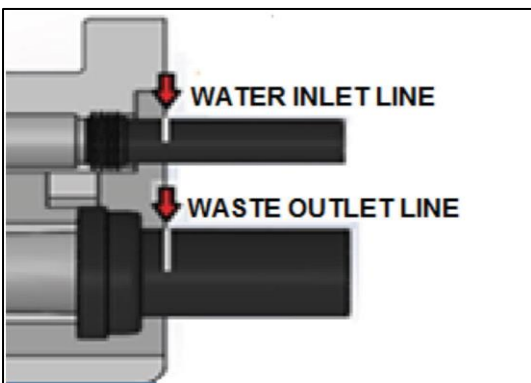
WALL-MOUNTED TOILET TOP INSTALLATION



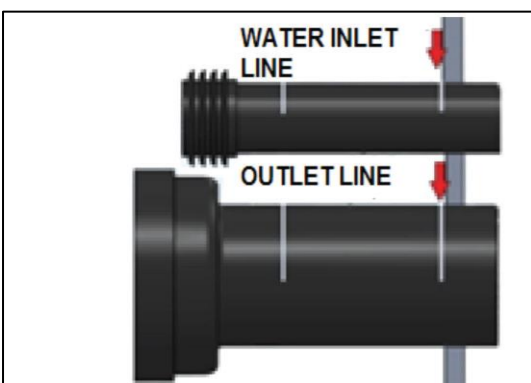
Prepare the infrastructure in specified sizes.



Fix the parts numbered 1 and 2 to the product with the tightening apparatus numbered 3.

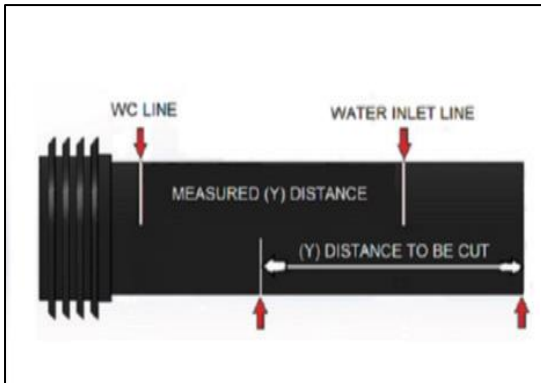


Fix the drain pipes to the product and mark the areas shown with arrow.

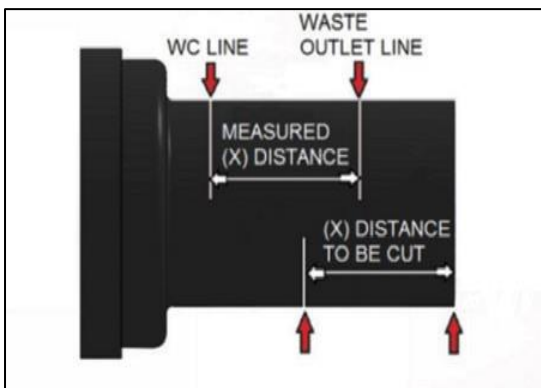


Fix the drain pipes to the installation and mark the areas shown with arrow.

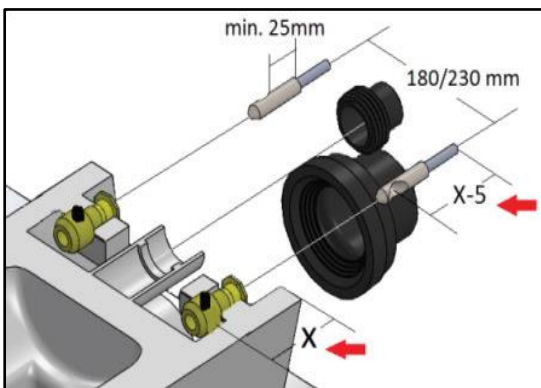
WALL-MOUNTED TOILET TOP INSTALLATION



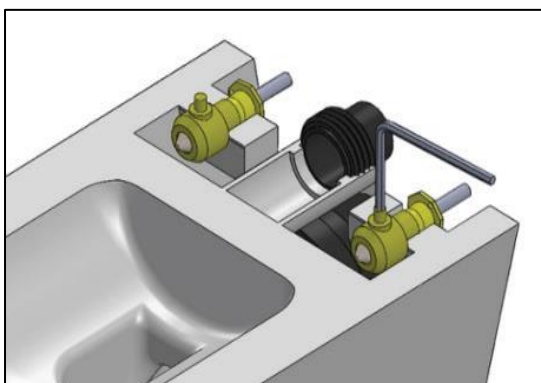
Shorten the water inlet adaptor as the distance between two marks.



Shorten the waste water drain pipe as the distance between two marks.



Measure **X** distance in the product, reduce **5.0 mm** from the measured distance, adjust the sleeve-headed stud lengths and turn the sleeve-head holes upwards.



Place the product and complete the installation by inserting the allen screw into the set screw from the cover installation holes.