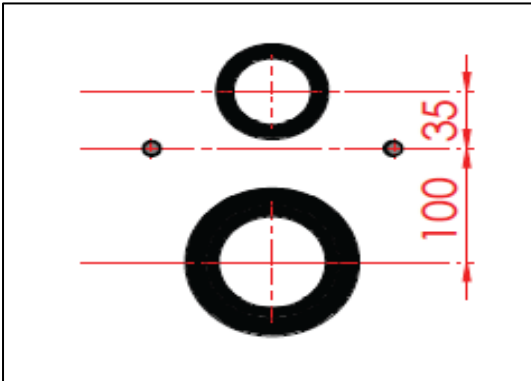


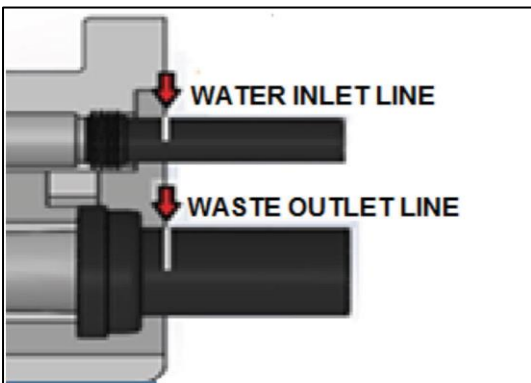
BOCCHI
IL BAGNO PER TUTTI



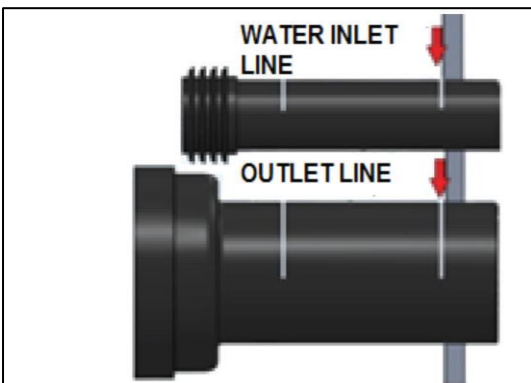
**WALL-MOUNTED TOILET SIDE OPEN INSTALLATION
INSTRUCTIONS**



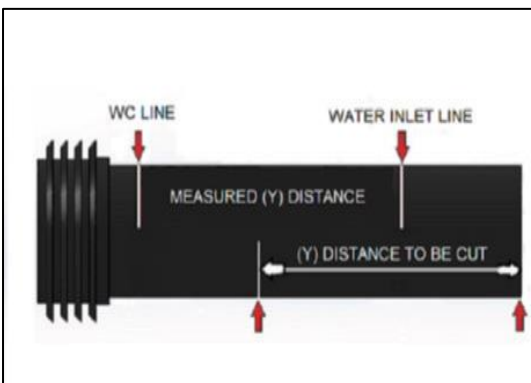
Prepare the infrastructure in above-mentioned sizes.



Fix the drain pipes to the product and mark the areas shown with arrow.

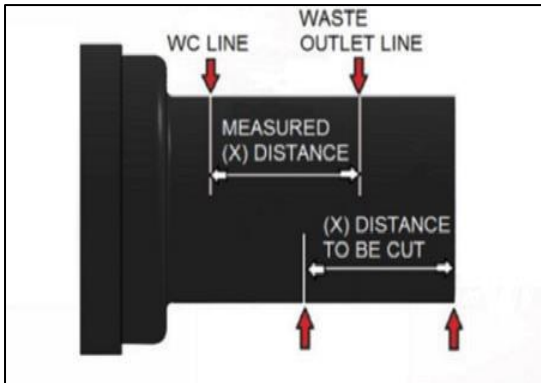


Fix the drain pipes to the installation and mark the areas shown with arrow.

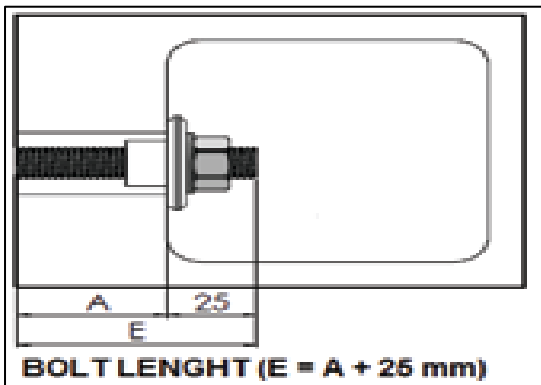


Shorten the water inlet adaptor as the distance between two marks.

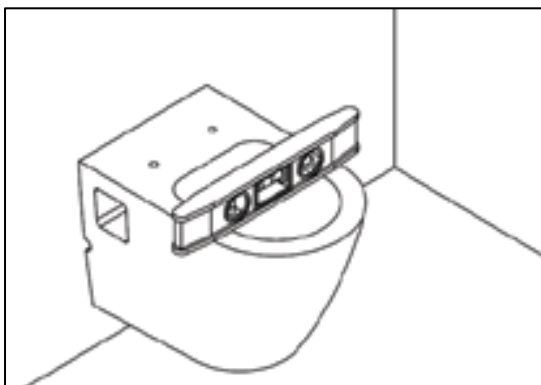
WALL-MOUNTED TOILET SIDE OPEN INSTALLATION



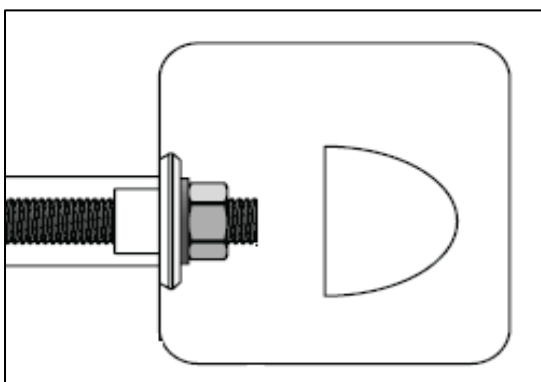
Shorten the waste water drain pipe as the distance between two marks.



Adjust the bolt length wall thickness of the installation system by leaving a +25 mm margin.



Place the toilet and adjust the balance before the studs are fully tightened.



Tighten the studs and attach the stud caps.