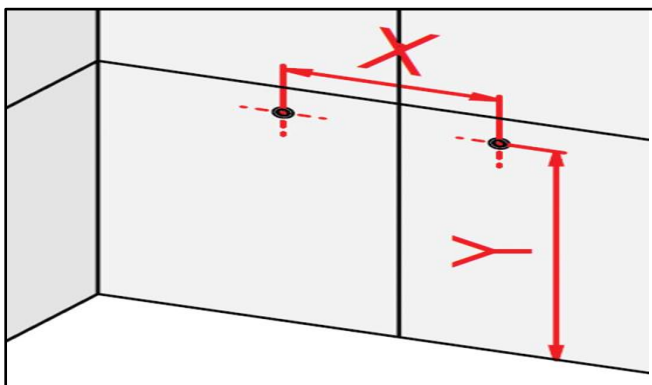
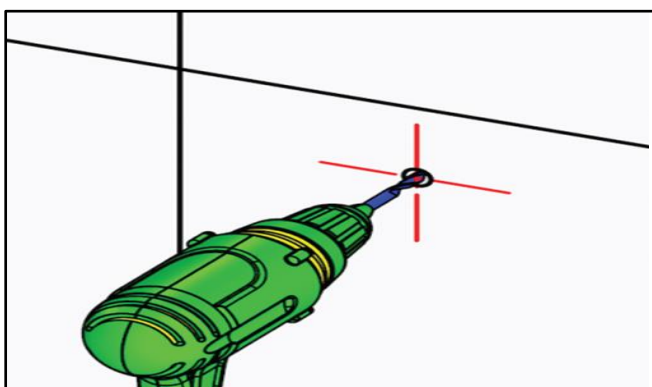


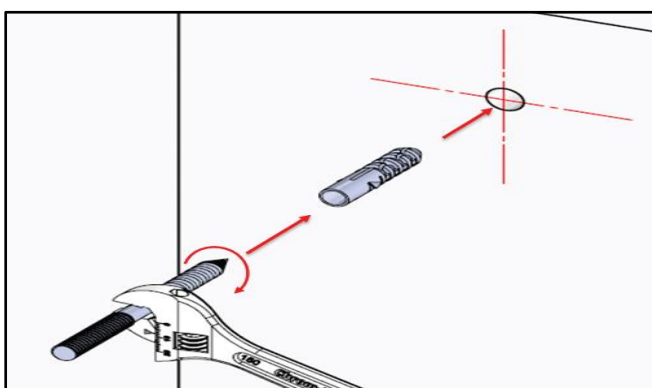
**WALL-MOUNTED WASHBASIN INSTALLATION
INSTRUCTIONS**



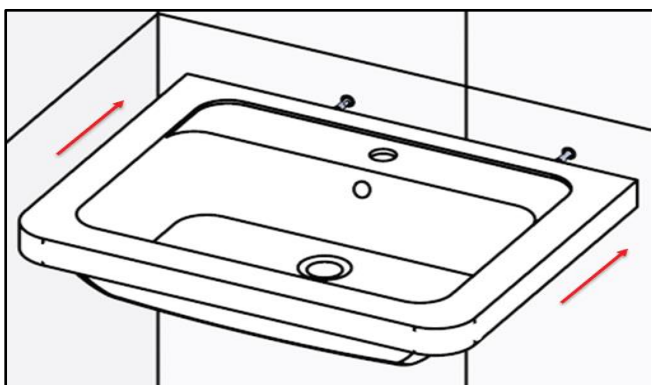
Mark holes on the wall.



Drill the holes.

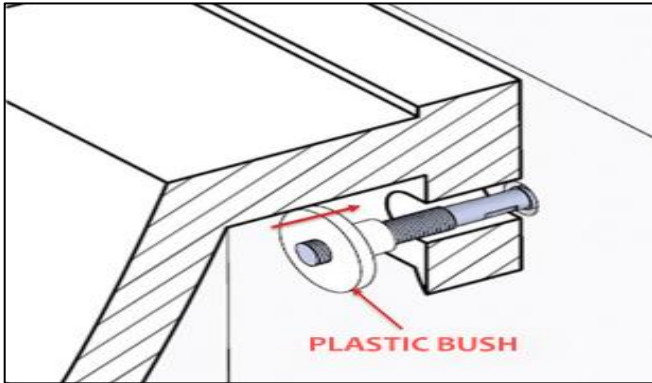


Insert dowels and studs into the holes.

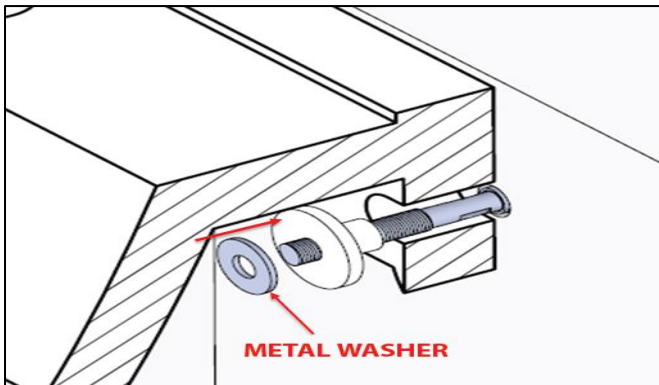


Place the washbasin.

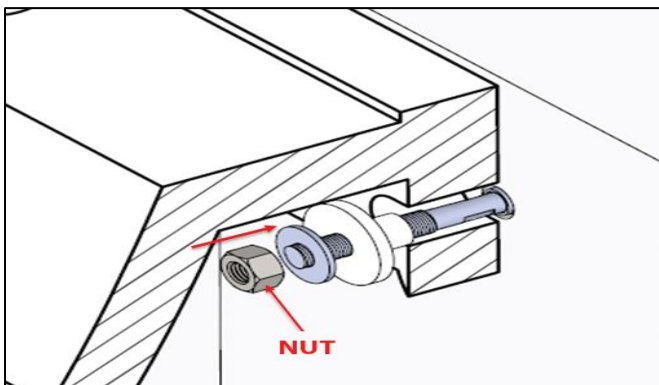
WALL-MOUNTED WASHBASIN INSTALLATION



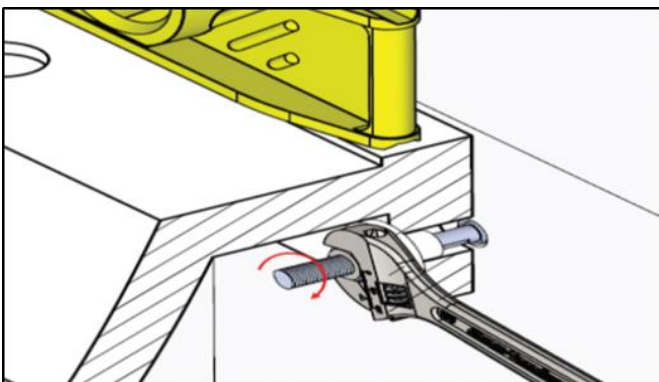
Insert the plastic bushes.



Insert the metal washers.



Insert the nuts.



Fix the washbasin and complete the installation.