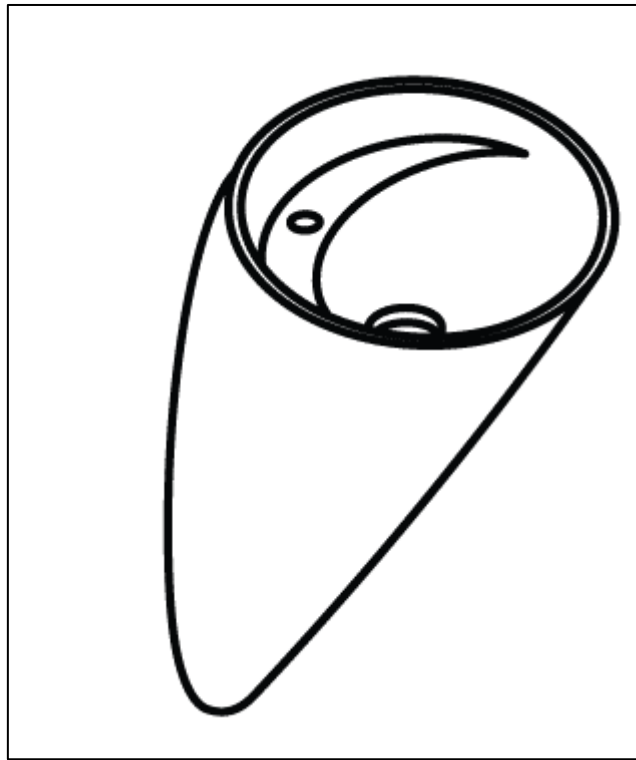
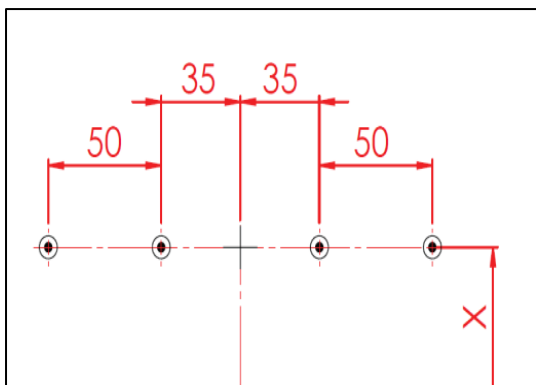


BOCCHI

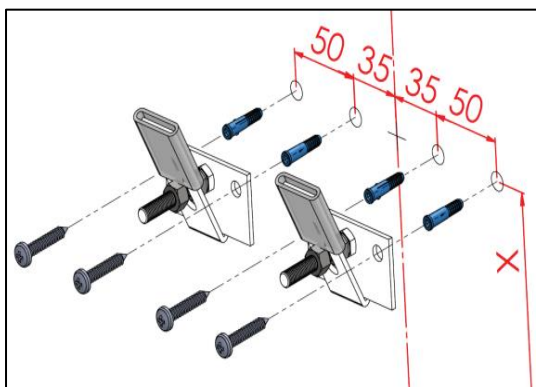
IL BAGNO PER TUTTI



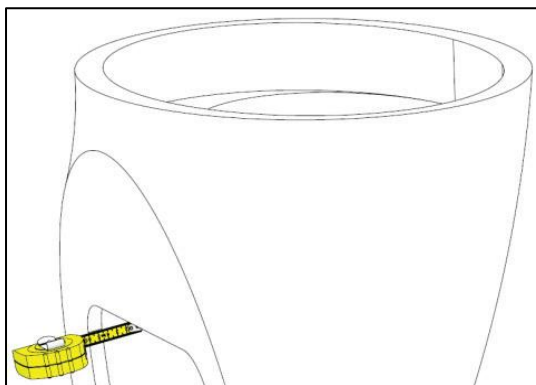
**WALL-MOUNTED MONOBLOC WASHBASIN
INSTALLATION INSTRUCTIONS**



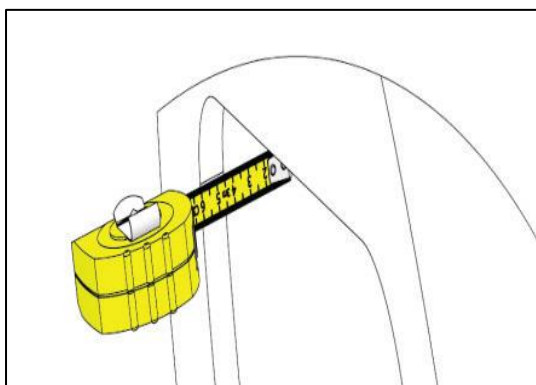
Mark the installation hole positions.

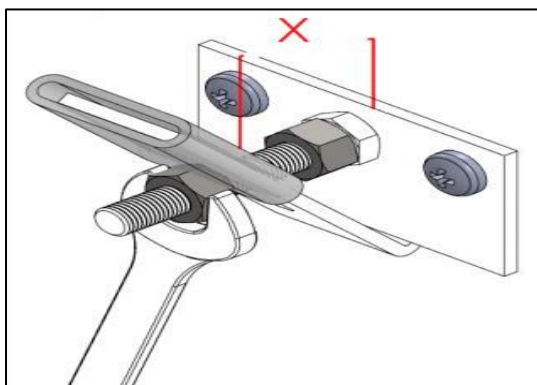


Fix the apparatus.

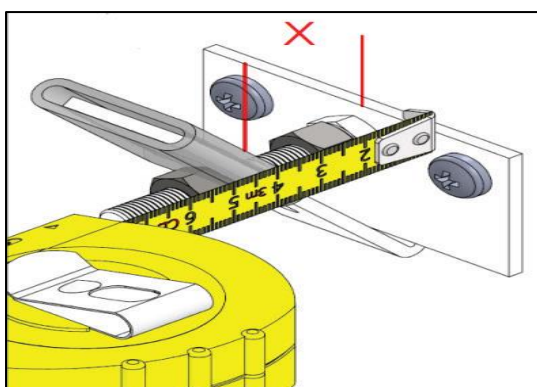


Measure the installation wall thickness of the washbasin.

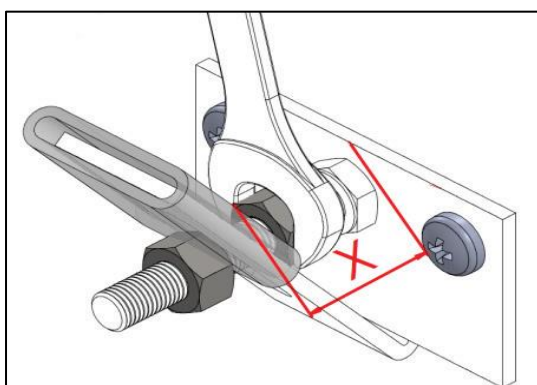




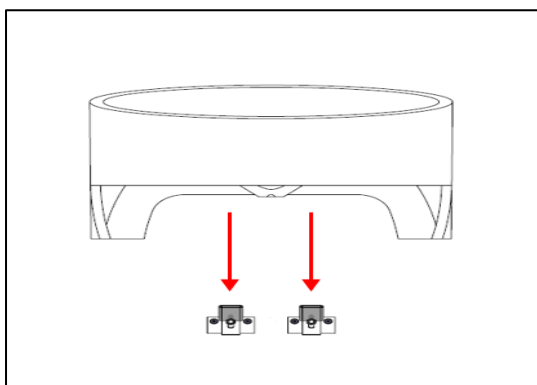
Adjust the installation angle of the apparatus.



Check the compliance with the wall thickness.



Fix the installation angle with counter nuts.



Place the washbasin.