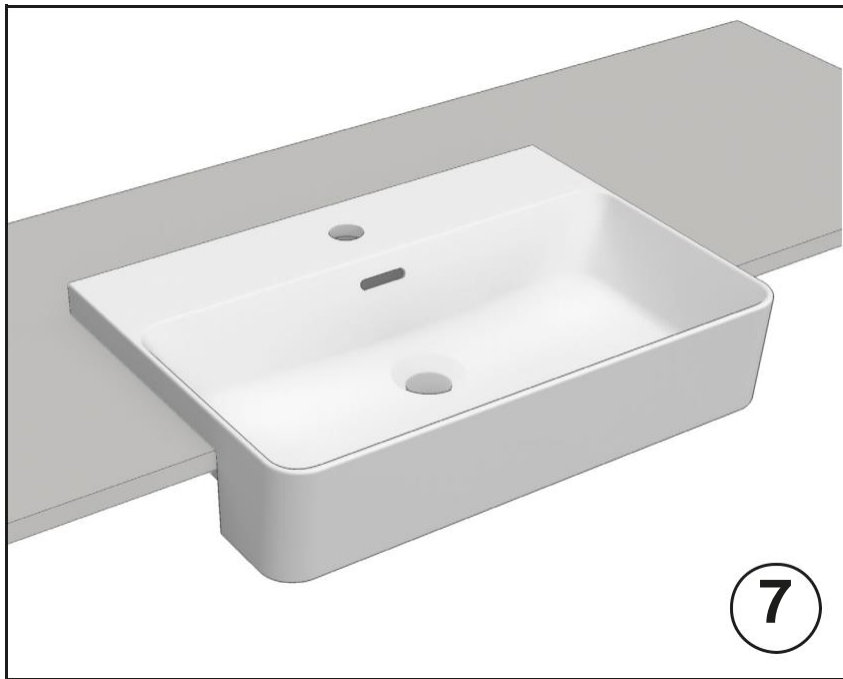


**BOCCHI**  
IL BAGNO PER TUTTI

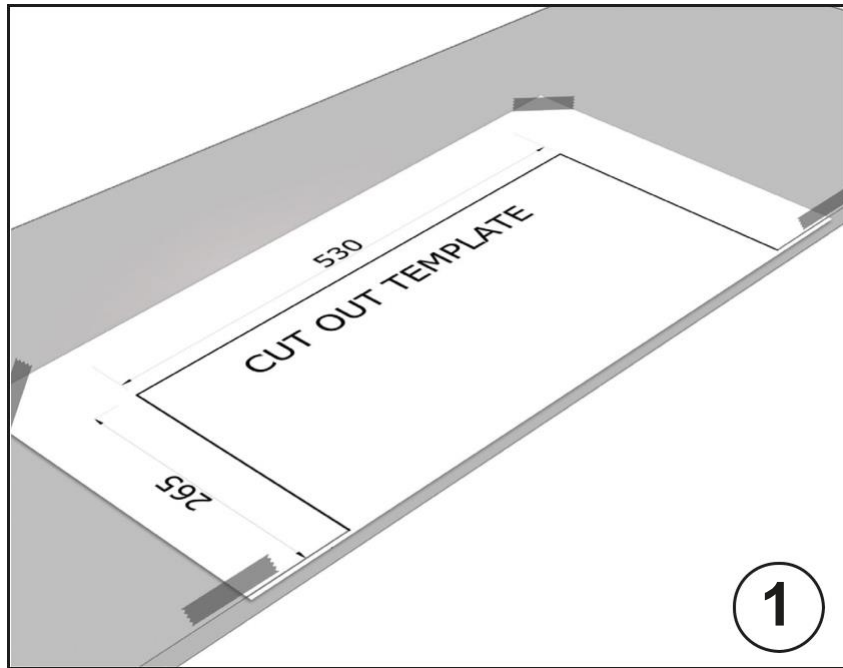


The installation is completed by keeping the washbasin stationary for 24 hours.

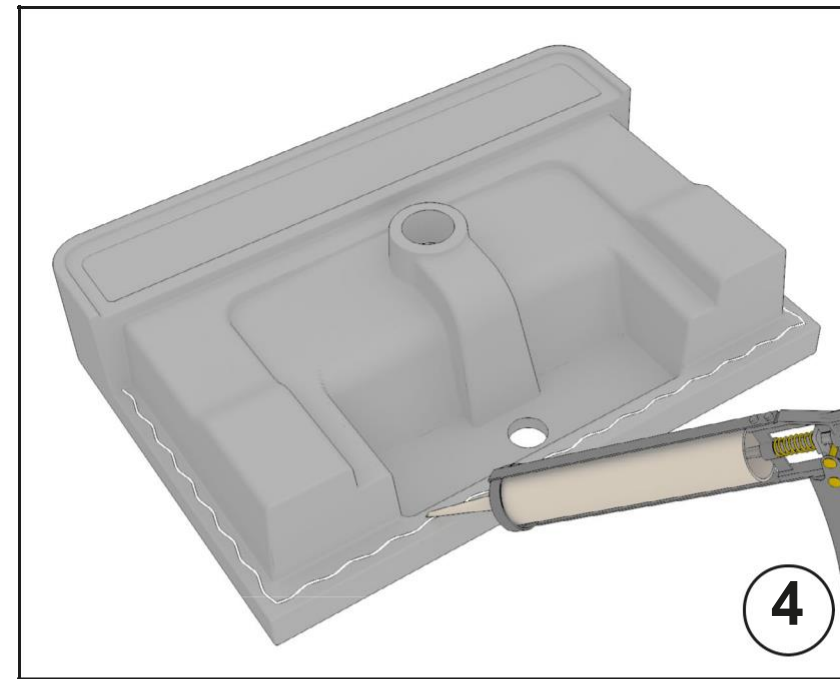
**BOCCHI**  
IL BAGNO PER TUTTI



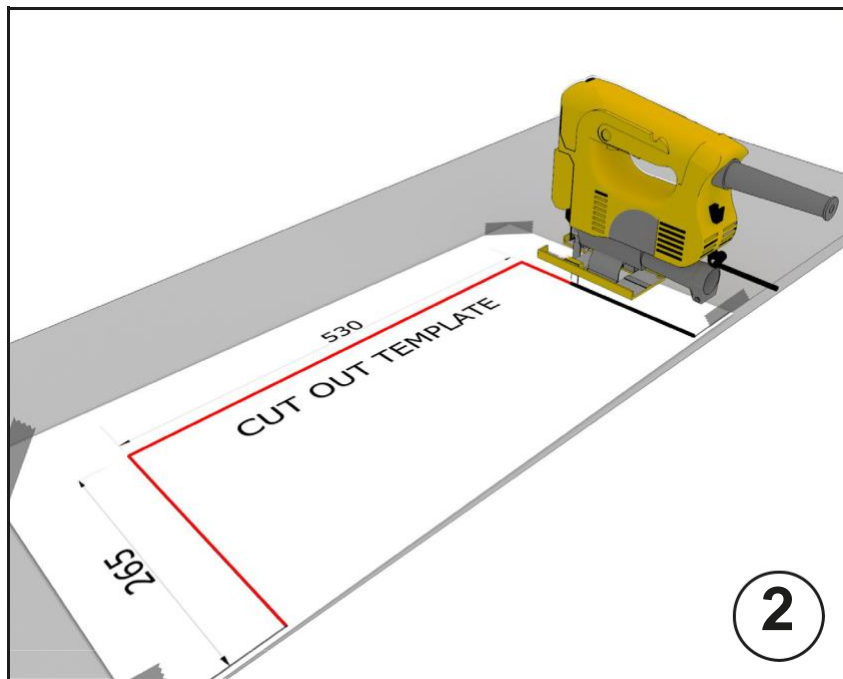
**SEMI-RECESSED WASHBASIN  
INSTALLATION INSTRUCTIONS**



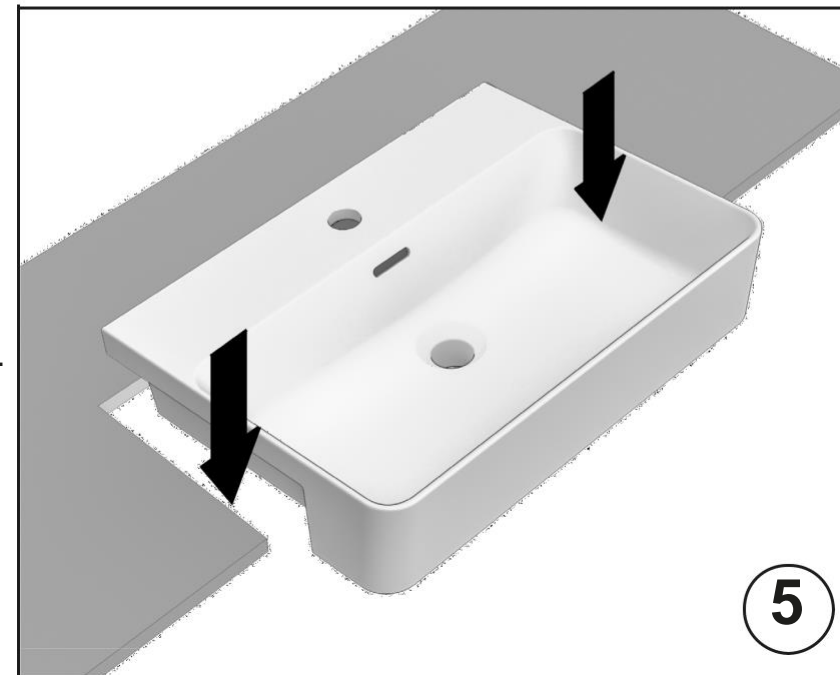
Fix the cutting template to the workbench.



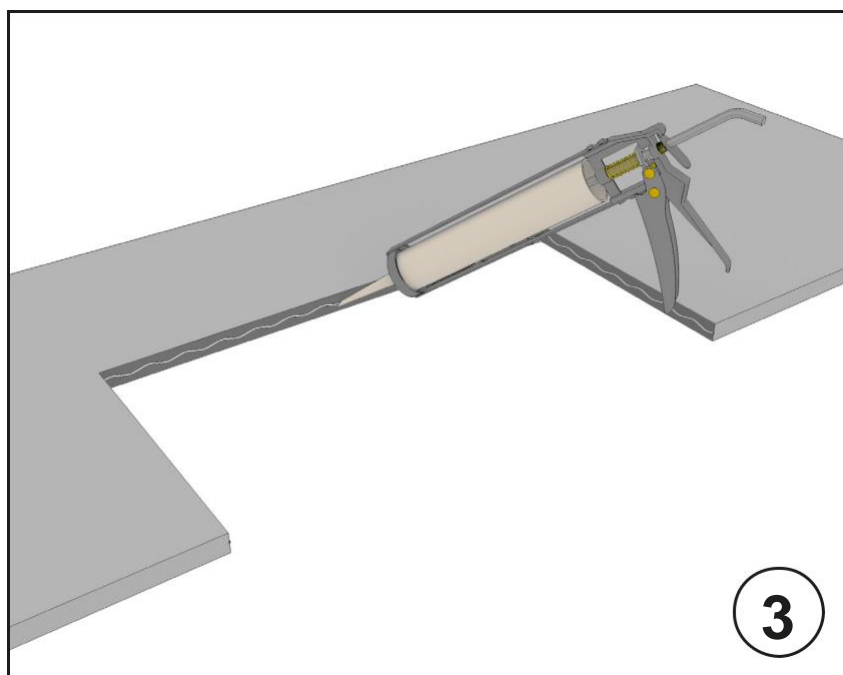
Silicone is applied to the surface where the washbasin will be installed.



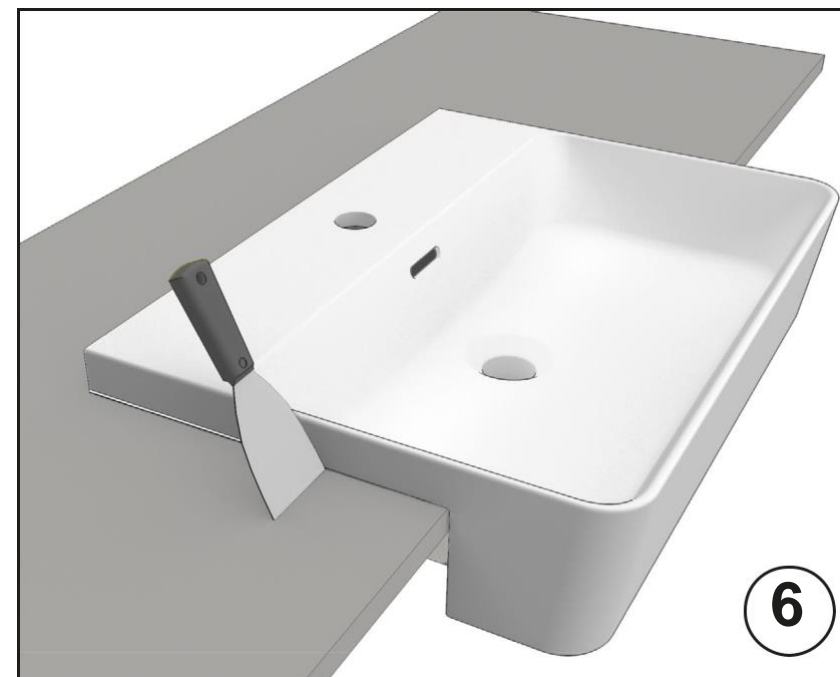
The countertop is cut out from the marked place.



The sink is placed on the counter.



In case a wooden countertop is used, silicon is applied to the cutout place to prevent contact with moisture.



Excess of the silicone overflowing from the edges is taken to have a smooth surface.