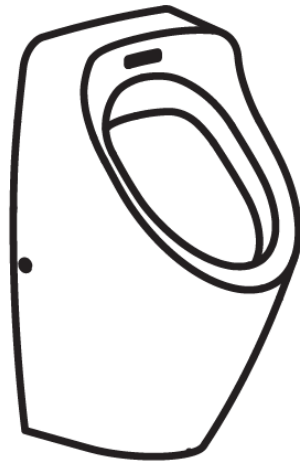
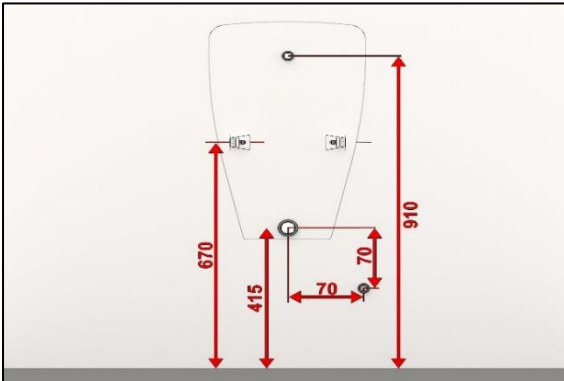


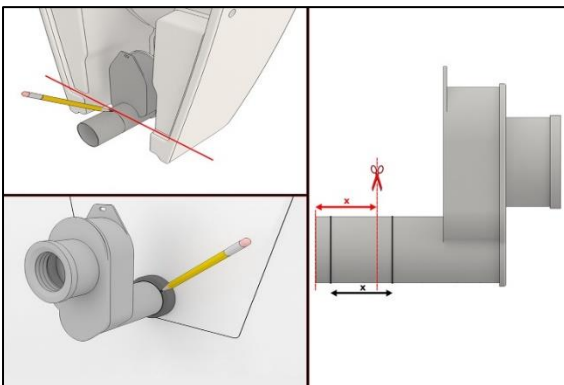
BOCCHI
IL BAGNO PER TUTTI



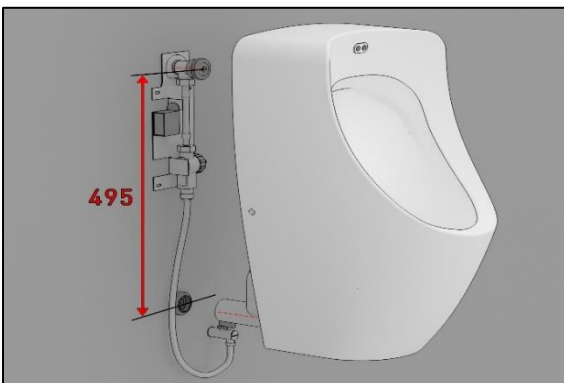
**PHOTOCELL-CONTROLLED URINAL INSTALLATION
INSTRUCTIONS**



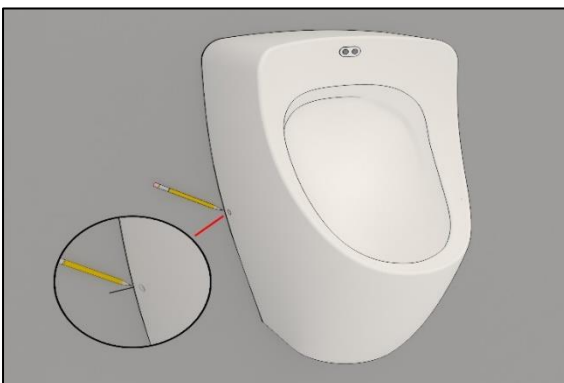
Prepare the infrastructure in specified sizes and align the water inlet and waste water outlet with the wall surface.



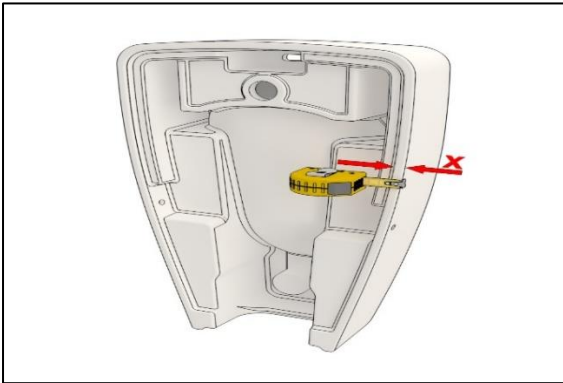
Adjust the drain pipe length as shown.



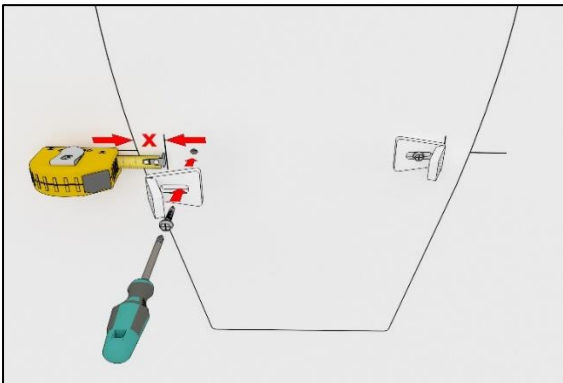
Fix the water inlet system of the urinal to the installation location in the specified sizes. Place the product temporarily on installation location.



Mark outer edges and installation hole levels on wall surface.



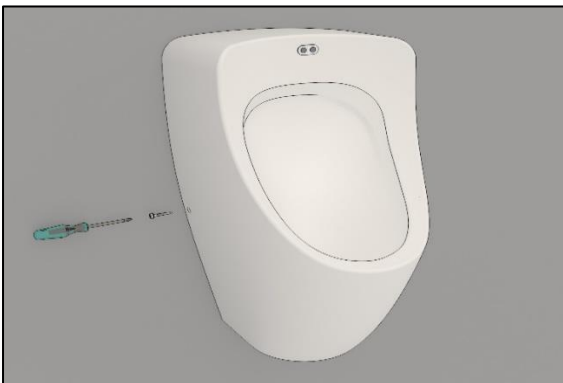
Measure the installation hole wall thickness of the product.



Fix the installation apparatus to the wall by leaving a space equal to the measured wall thickness.



Place the urinal.



Complete the installation by inserting screws and caps on both sides.