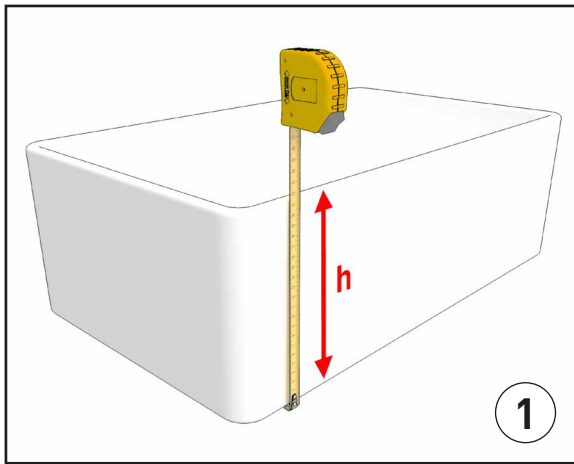


# **BOCCHI**

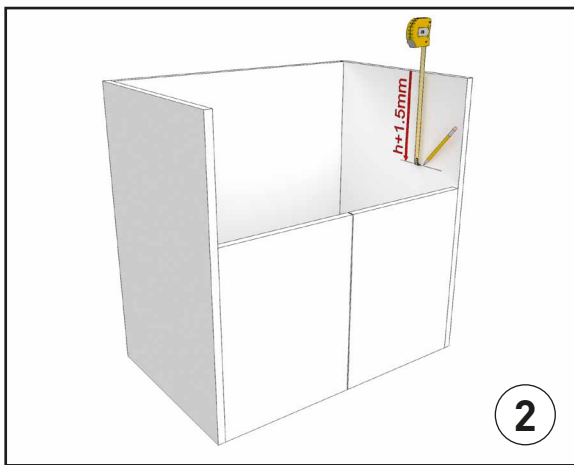
IL BAGNO PER TUTTI



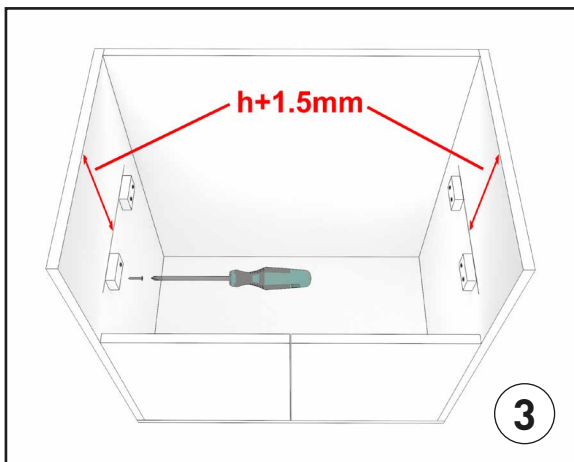
**KITCHEN SINK INSTALLATION  
INSTRUCTIONS**



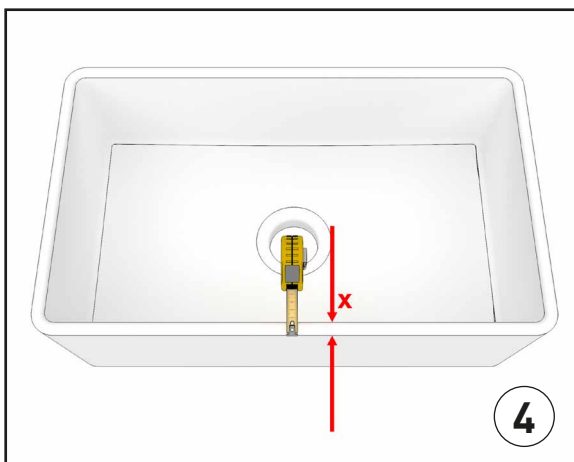
Measure the height (h) of the sink.



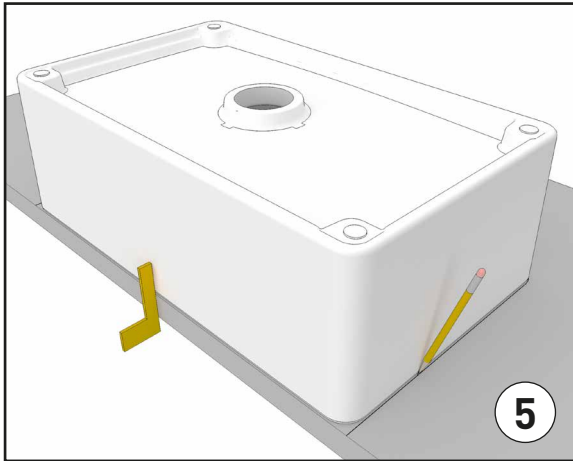
Mark the distance from the upper surface of the cabinet to the base of the sink as  $h+1.5$  mm.



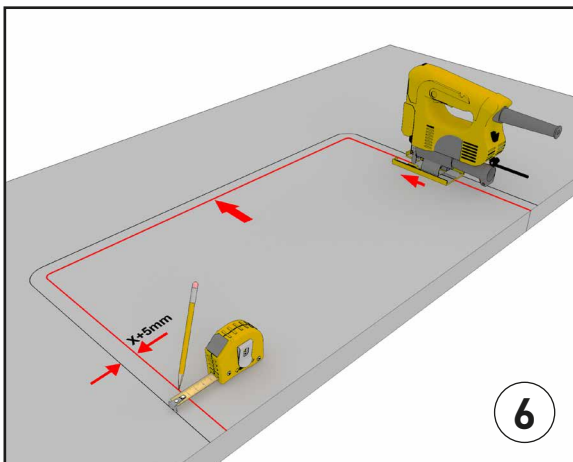
Mount wedges under the marked areas.



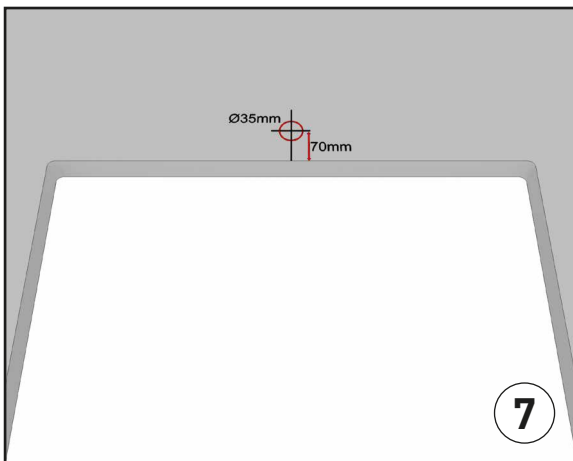
Measure the wall thickness (X) of the product.



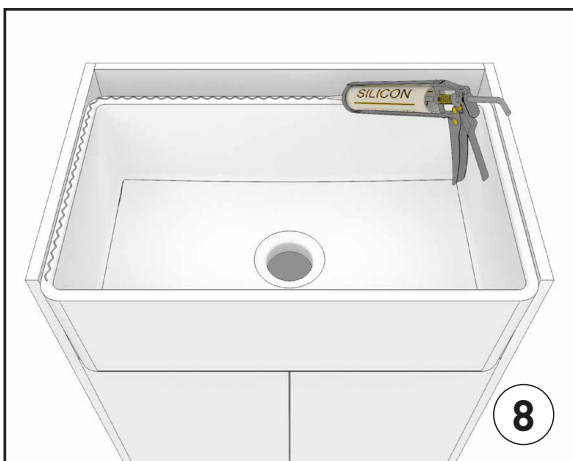
Place the product on the underside of the countertop on a line with the foreside. Mark the cutting location.



Cut by marking again from inside up to (X +5 mm) of the mark.



For armature hole position, mark the center of the reservoir and drill the hole from the marked part to the back side to 70 mm center with a 35 mm diameter punch.



Apply silicone to upper wall of the sink.