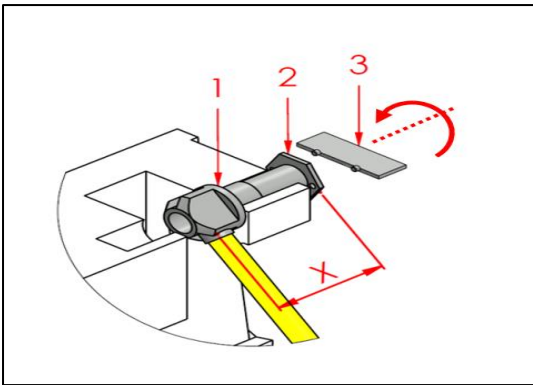
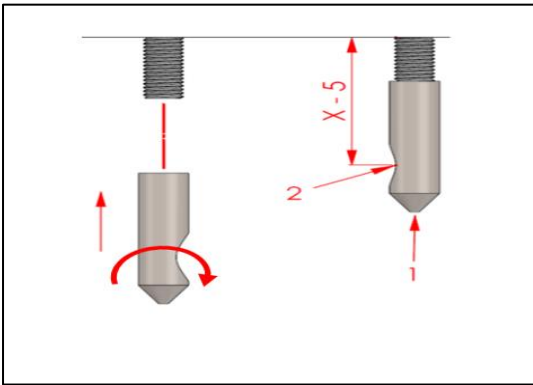


WALL-MOUNTED BIDET BOTTOM INSTALLATION INSTRUCTIONS

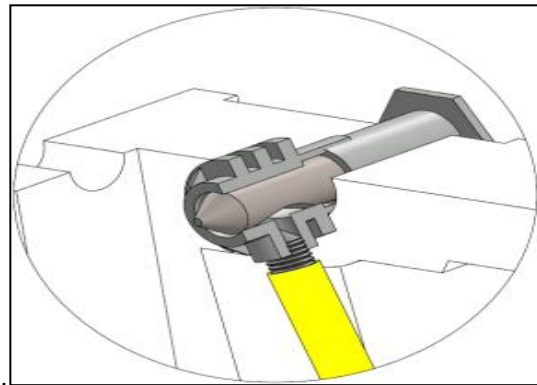
WALL-MOUNTED BIDET BOTTOM INSTALLATION



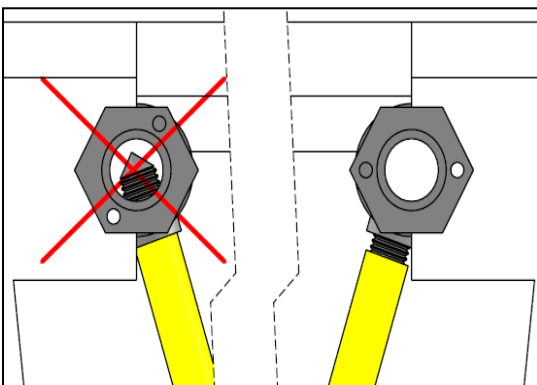
Fix the parts numbered 1 and 2 to the product with the tightening apparatus numbered 3.
Measure X distance.



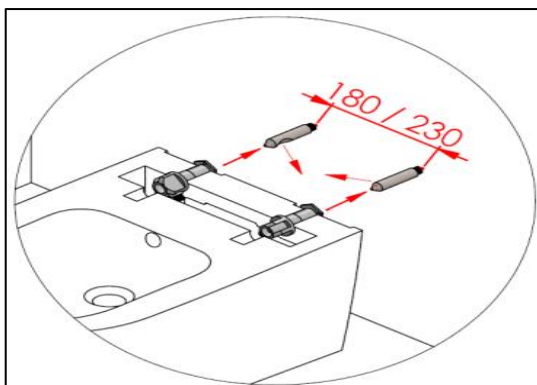
Turn the stud slots towards the set screw.



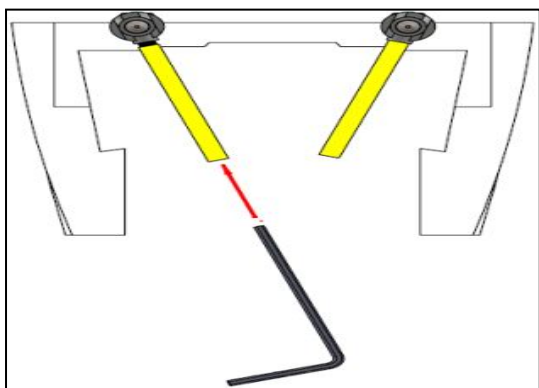
Stud slots are turned towards the grub screw.



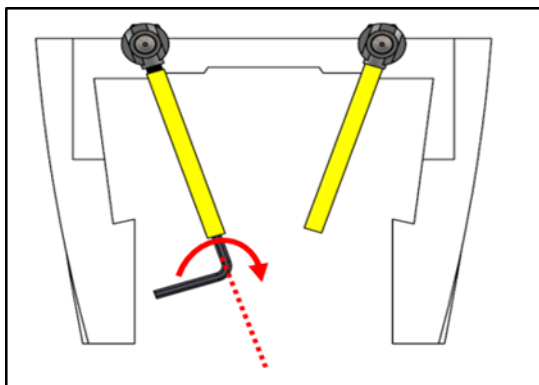
Check whether the fixing screw is zero to the inner surface of the mounting apparatus so that the screws on the wall can pass.



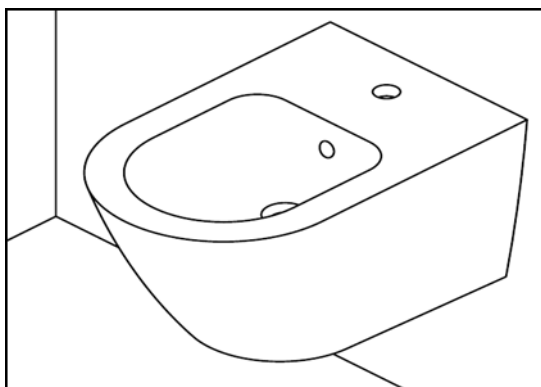
Place the product.



Adjust the left-right balance of the product before the set screws are fully tightened with the allen screw.



Before the set screws are fully tightened with the Allen key, the left-right balance of the product is adjusted.



Complete the installation with the final tightening.